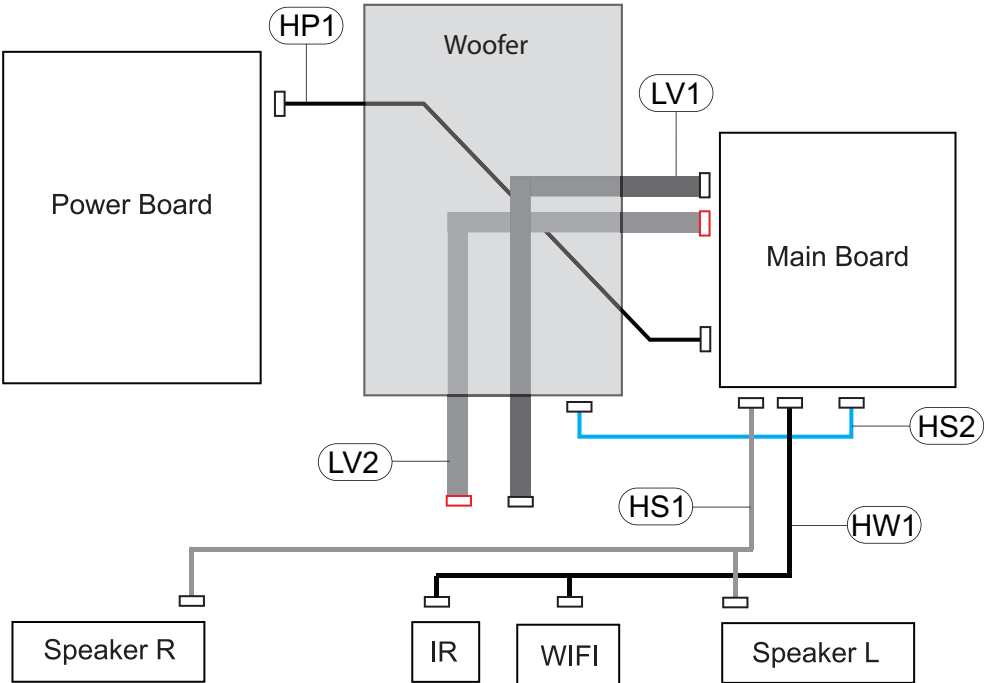
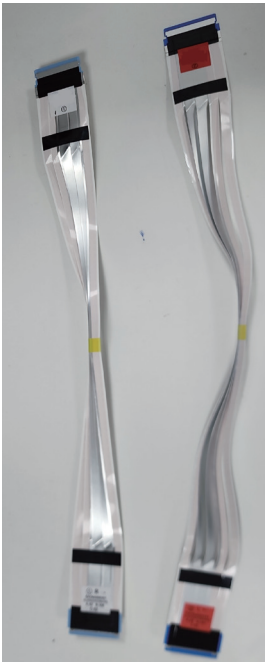


WIRING DIAGRAM



LV1



LV2



HP1

HS1



HS2



HW1

